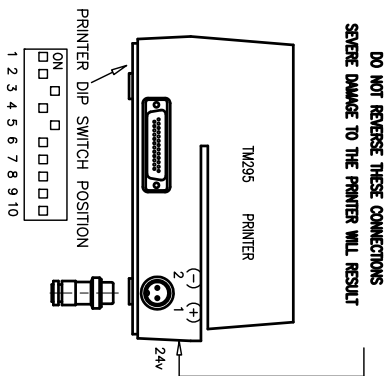
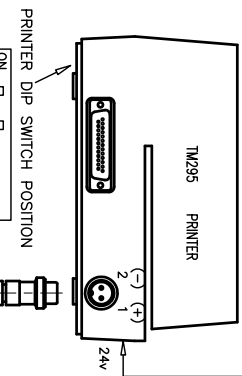


Remove Screws
to access switch
and trimpot

6000 Series Totaliser - Rear View

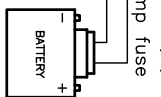


**DO NOT REVERSE THESE CONNECTIONS
SEVERE DAMAGE TO THE PRINTER WILL RESULT**

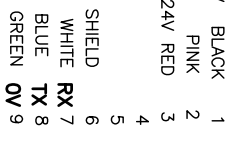


1 2 3 4 5 6 7 8 9 10

1 RED 24V (+)
2 BLACK 0V (-)
1 Amp fuse



(-) 0V BLACK
Remote Reset If
Required (+) 12-24V RED



RX WHITE
TX BLUE
0V GREEN

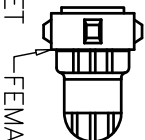
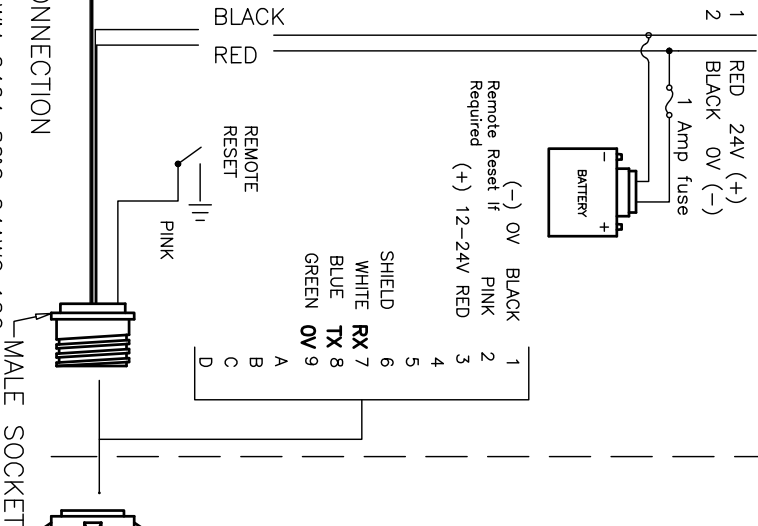
25 WAY
MALE PLUG

PRIME MOVER CONNECTION

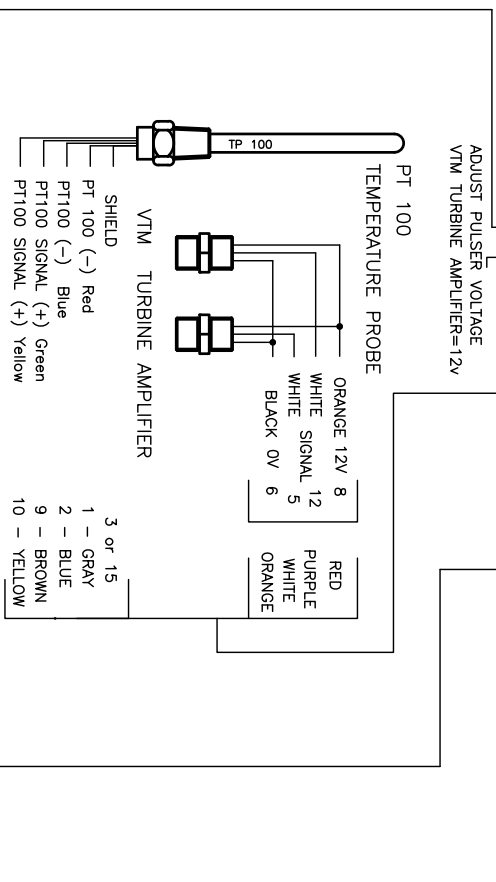
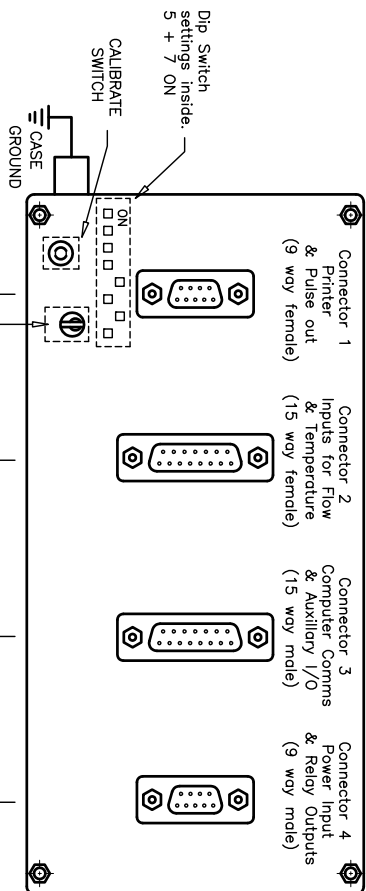
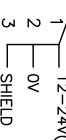
CABLE SPECIFICATION: GARLAND AWM 2464 80°C 24AWGx12C

COMPUTER CABLE MC712S N513

12V system requires ACME DCC12-24 step up converter. See drawing 025073B



TRAILER CONNECTION



1	Rearrange layout	05/2013	SMB	Checked
Rev.	Revision	Date	Rev. By	Checked

Item	Quantity	Description, material, dimension etc.	Part no.
Drawn by	Checked	Approved by	Scale
S.M.B		Filename	NONE
		Date	25-11-2010
		File	02507301
		Date	25-11-2010
		Revision	1
		Sheet	1 of 1
<p>WIRING DIAGRAM-6000 Series OIML Totaliser & Printer</p>			

