

Z3500 Pump

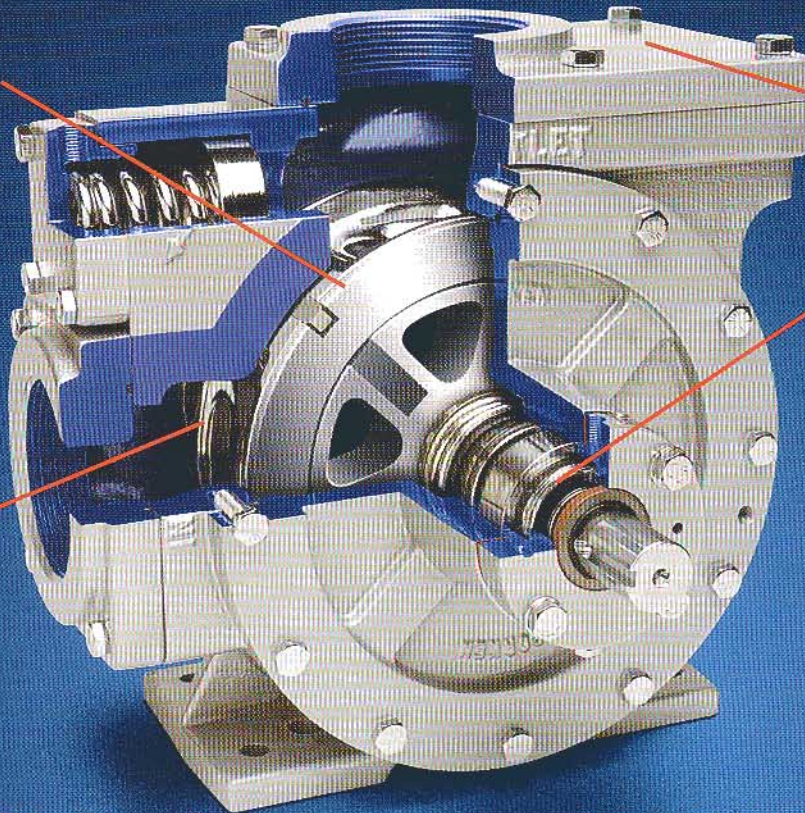
For Truck and Stationary Applications

Reversible sideplates add twice the life. Sideplates are easily reversed/replaced by removing just twelve head bolts.

Unique elongated flange configuration enables you to retrofit other three-inch pumps with little or no change in piping.

Patented needle roller thrust bearings rated for 4,000 lbs minimizes sideplate wear. Typically, no field adjustment is required.

Computer designed porting and profiling of the cam reduces cavitation and improves the pumping efficiency.



New Z-Series pump with higher flow rates for faster loading and unloading!

The Z3500 is a three-inch foot mount pump designed for stationary and truck applications such as loading and unloading single and dual bobtails. It offers the same locked rotor design used in the Corken Z-Series truck pumps to ensure a longer pump life and excellent performance. The Z3500 also delivers higher flow rates than other three-inch competitive pumps, so your loading times are shortened.

Lastly, installation is easy because the Z3500 retrofits the Corken model 1021 pump and other competitive three-inch pumps with little or no change in piping.

Advantages:

- Large diameter non-metallic pins are not speed sensitive so you can operate the pump at a higher RPM and not damage the pump.
- High tech materials used on cam and blades extend the life of the pump.
- Up to 7% or more capacity at 640 RPM.

- Unlike other three-inch stationary pumps rated at 640 RPM, the Z3500 is rated up to 800 RPM providing higher capacity without damage.
- Maintenance is made simple. When it becomes necessary to service the pump, all you need to do is remove twelve head bolts to inspect the bearings, seals, sideplates, rotor, vanes and vane drivers.
- Retrofits the Corken model 1021 pump and other three-inch competitive pumps with little or no change in piping.

CAPACITY COMPARISON*

	RPM			
	420	520	640	780
Corken gpm (L/min)	86 (326)	116 (439)	143 (541)	177 (670)
Competitor gpm (L/min)	80 (303)	108 (409)	133 (503)	—

*All capacities are rated at 50 psid and system and condition dependent.

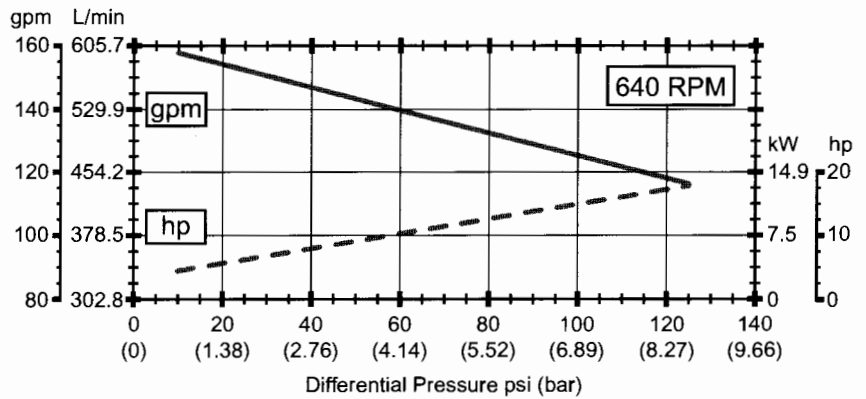
Solutions beyond products...

CORKEN
IDEX

Operating Specifications

RPM range:	420–800 RPM
Max working pressure:	400 psig (28.6 bar)
Temperature range:	-25°F–225°F (-32°C–107°C)
Internal relief valve:	Yes
Max differential pressure:	150 psid (10.3 bar d)
Flow range:	52–197 gpm (197–746 L/min)

Performance Curves

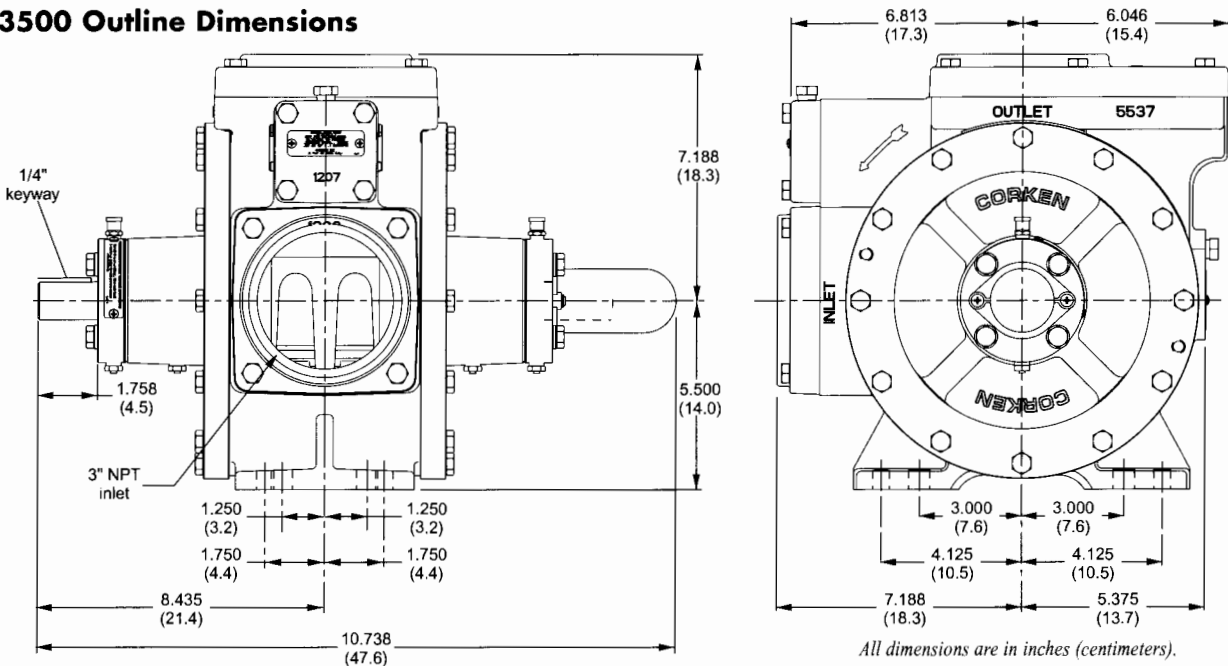


Material Specifications

Part	Standard Material	Optional Material
Case, head, rotor, relief-valve cap, bearing cap	Ductile iron ASTM A536	
Cam	Gray iron ASTM A48, Class 50	
Sideplate	Gray iron ASTM A48, Class 30	
Welding flange	Steel	
Seal seat	Gray iron	Stainless steel & Ni-Resist
Seal metal parts	Steel	
Shaft	8620 steel	
Vanes and vane drivers	Advanced polymers	
Relief valve spring	Stainless steel	
Relief valve	Steel	
Bearing	Steel	
Thrust bearing	Steel	
O-rings	Buna-N	PTFE, Viton®, Neoprene® ¹
Retainer rings	Steel	

¹Viton® and Neoprene® are a registered trademarks of the DuPont company.

Z3500 Outline Dimensions



QUALITY
ISO 9001
SYSTEM

Solutions beyond products...
CORKEN
IDEX

ENVIRONMENTAL
ISO 14001
MANAGEMENT
SYSTEM

CORKEN, INC. • A Unit of IDEX Corporation
3805 N.W. 36th St., Oklahoma City, OK 73112 U.S.A.

Phone (405) 946-5576 • (800) 631-4929 • FAX (405) 948-7343

Visit our website at <http://www.corken.com> • E-mail us at info.corken@idexcorp.com