

**We put our swivels through some very
unique tests**



Because we know it's a jungle out there!

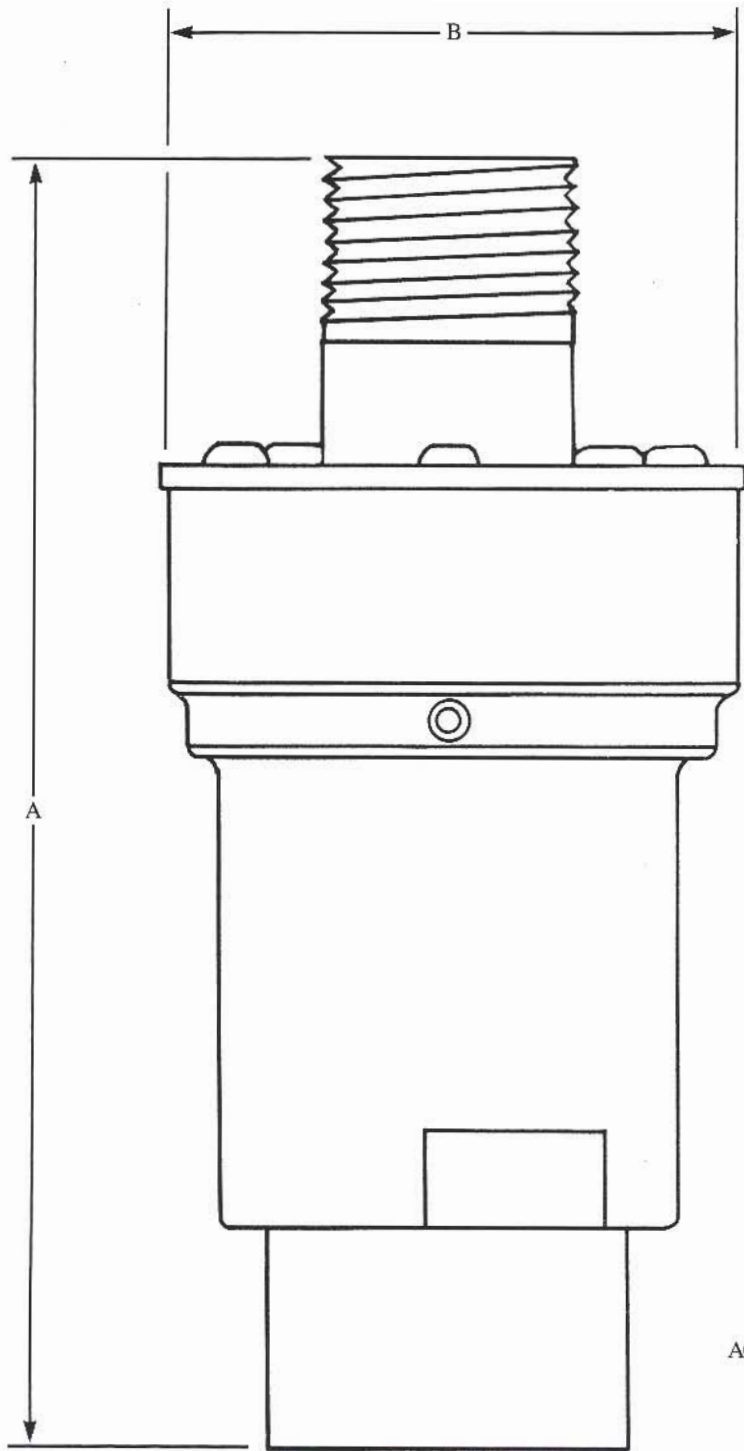
Introducing the new JO-1 Hose-End Swivel

Made from Stainless Steel for maximum resistance to harsh environments
New balanced SUPERSEAL™ means easier rotation at higher delivery pressures
Fewer seal components
About one-half the size of the original SMAC-1
About one-half the weight of the original SMAC-1
No rotating o-rings, compressed Teflon® discs, or pressure containing lip seals
All components field replaceable
No lubrication ever required
U.L.-Listed

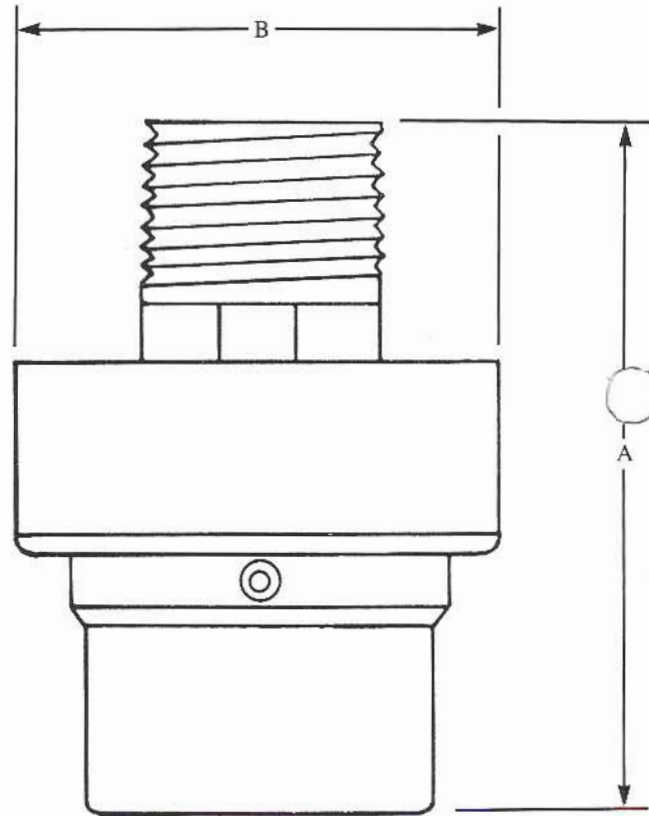


FULL-CIRCLE, INC.

P.O. Box 276, Newbury Park, CA 91319 USA
1299 Lawrence Drive, Newbury Park, CA 91320 USA
Telephone: 805/498-6616 FAX: 805/499-2867



SMAC-1



JO-1

ACTUAL SIZE

MODEL	SIZE	A	B	WEIGHT
SMAC-1	1 x 1	6-3/8	3	2-3/4
JO-1	1 x 1	3-3/8	2-1/2	1-1/2

All dimensions in inches
All weights in pounds

DISTRIBUTED BY: