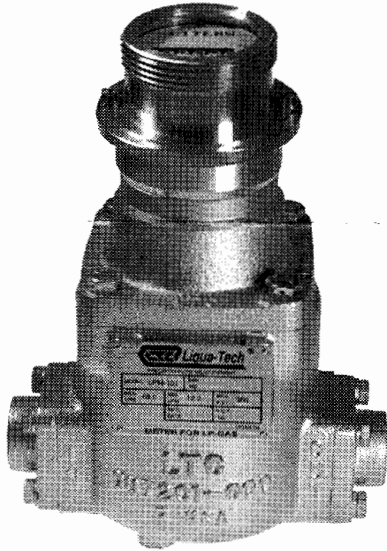


# LPM-101

## LP-Gas Flowmeter

### Technical Bulletin



#### Primary Features

At the heart of the model LPM-101 flowmeter is the superior Liqua-Tech measuring chamber, featuring our innovative hard coated piston with special dense metal oxide finish and hardened steel bearing shaft, field proven in tens of thousands of installations internationally.

The LPM-101 comes standard with a 3" dial, Neptune 157-style totalizing, non-resettable register with liter or gallon gear train for proven quality, reliability and low operating torque. Optional Veeder-Root non-printing register with direct reading resettable counter and totalizer is available.

The LPM-101 is fabricated from the highest quality raw materials, machined and assembled with Liqua-Tech's exacting attention to detail. Each meter is pressure and flow tested for accuracy. Records on all meters and chambers are kept on file at Liqua-Tech's manufacturing facility.

Neptune and Schlumberger are registered trademarks of Schlumberger Industries, Liqua-Tech is an unaffiliated manufacturer of replacement parts for Neptune flowmeters.

Designed for applications which require accurate recordings for fuel consumption and inventory control, the Liqua-Tech LPM-101 flowmeter can be used for either high pressure LP-gas liquid (350 psi) or lower pressure refined fuel. The LPM-101 is unique in handling low-flow or high-flow operations.

Construction is of durable ductile iron housings and a replaceable measuring chamber and geartrain. The LPM-101 is also available with Liqua-Tech's patented Trac-Bearing measuring chamber option, for improved accuracy, reliability and lower maintenance. The Trac-Bearing design controls and stabilizes piston rotation more efficiently than standard control rollers, resulting in greater sustained linear accuracy with less wear.

#### Specifications

##### Rate of Flow:

Low Range: 1.66- 5.0 gpm  
High Range: 3.0 -18.0 gpm

**Working Pressure:** 350 psi (24 bar) maximum (24.6 kg/cm<sup>2</sup>)

**Connections:** 3/4" or 1" NPT companion flange

**Units of Measure:** Calibration is in U.S. gallons, pints, or liters.

**Operating Temperature:** -10°F to 125°F (-23°C to 52°C).

**Physical Dimensions:** With 3" horizontal totalizing, non-resettable register.

Height: 10<sup>13</sup>/<sub>16</sub>"  
Width: 7<sup>5</sup>/<sub>8</sub>"

**Shipping Wt:** (with register) 25 lbs.

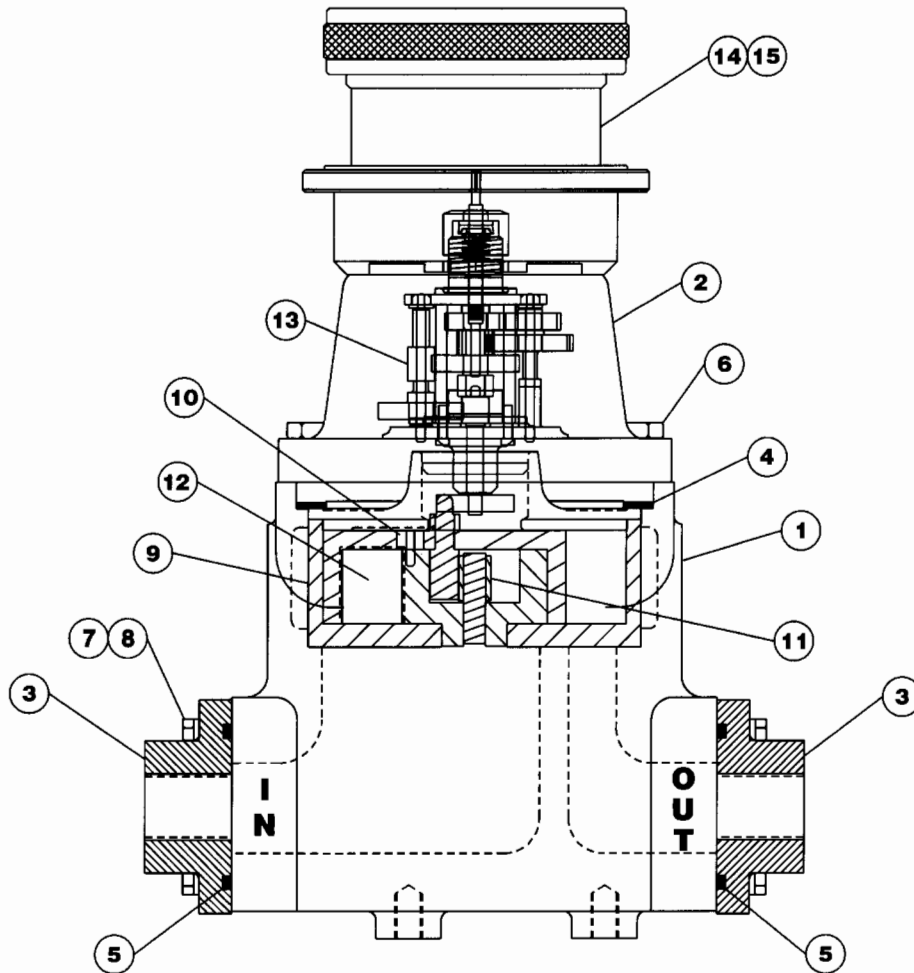
**Available From:**



# LPM-101

## LP-Gas Flowmeter

### Parts List



Ref. #	Description	Part Number
1	Main case housing	L087201-000
2	Cover main case	L087173-710
3	3/4" Flange inlet/outlet	L087180-710
	1" Flange inlet/outlet	L087180-711
4	Gasket, main case	L004861-016
5	O-ring, inlet/outlet flange	L100139-007
6	Bolt, hex head, 7/16 NC x 1 1/4", drilled	L040237-005
	Bolt, hex head, 7/16 NC x 1 1/4", undrilled	L040237-004

Ref. #	Description	Part Number
7	Bolt, hex head, 5/16 NC x 1"	L100063-026
8	Lockwasher, split 5/16"	L100121-010
9	Measuring chamber	L042075-101
10	Seal pin	L042792-000
11	Roller control	L042086-010
12	Diaphragm	L042791-000
13	Gear train, 43.5 ratio, U.S. Gallons	L080905-017
14	Register cover box complete	L801668-001
15	Horizontal non-resetable totalizer register	L080605-XXX

